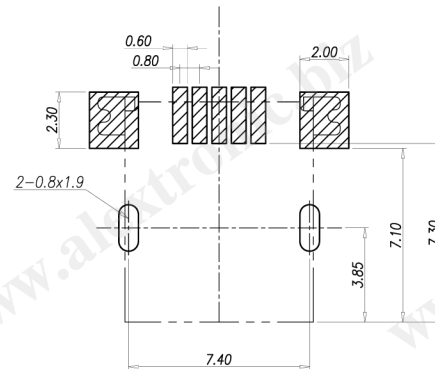
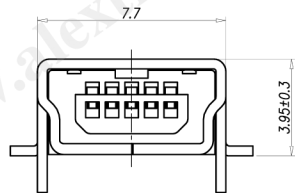
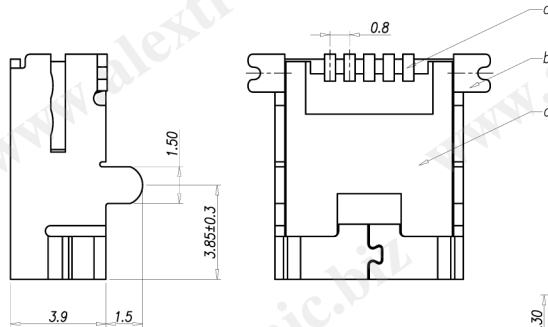
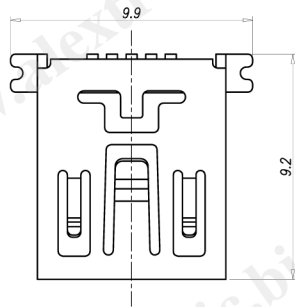


CATEGORY	DESCRIPTION	P/N #
CONNECTOR	Mini USB, 5PIN	UB3051-11FX0-0013

REV.	ECN NO	DESCRIPTION	REVISED	DATE
R01		New Release	Luguan	2009.07.06

- Specifications:
1. Contact resistance: 50mΩ Max.
 2. Insulation resistance: 100 MΩ Min.
 3. Withstand voltage: 100V AC
 4. Operating temperature: -55°C~+85°C



UB3051-11FX0-0013

X	Contact Plating
1	Gold Flash Plating
3	Au 5u" Plating
4	Au 15u" Plating
5	Au 30u" Plating

Recommend PCB Layout
(Jack Top View)
Tolerance: ±0.05mm

c	Contact	5	Copper Alloy	Contact Area: See Table 1, Solder Area: Tin Plating	
b	Shell	1	Copper Alloy	Ni Plating	
a	Housing	1	High Temperature Thermoplastics, UL94V-0	Black	
NO.	PART NAME	Q'TY	MATERIAL	PLATING & COLOR	Remark

UNLESS OTHERWISE SPECIFIED TOLERANCES		SCALE: 1/1	UNIT: mm	DWG.NO:
DECIMALS:		SIZE: A3	PAGE: 1 OF 1	REV: R01
X	:±0.5			APPROVED BY
XX	:±0.3			CHECKED BY
XXX	:±0.2			PREPARED BY
				WYX
				Pengjie
				Luguan
CUSTOMER COPY				